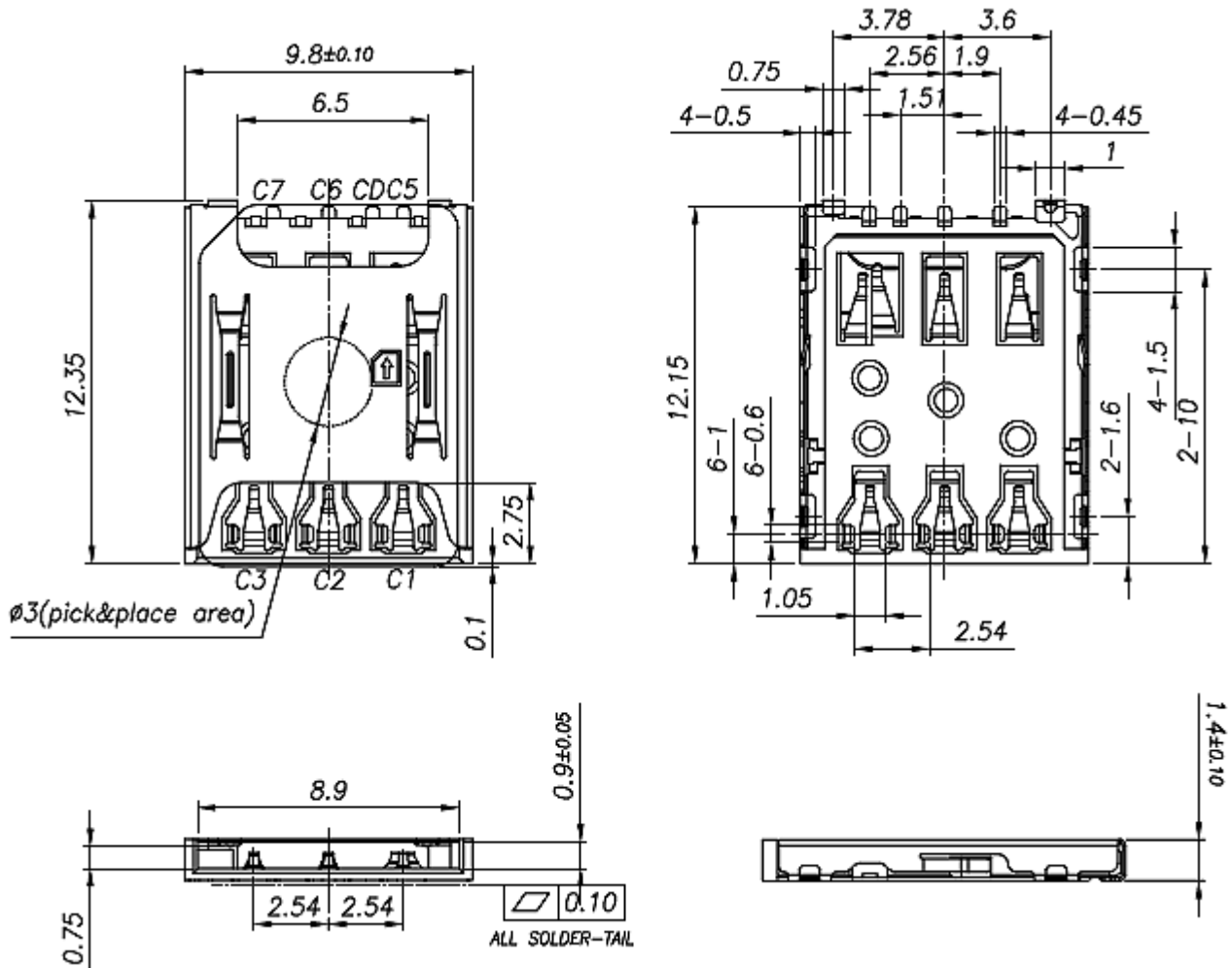


Operation: Push-Pull



LTEM NO.:SNO-1307-T
(NANO-SIM CARD SOCKETS)

Unit:mm

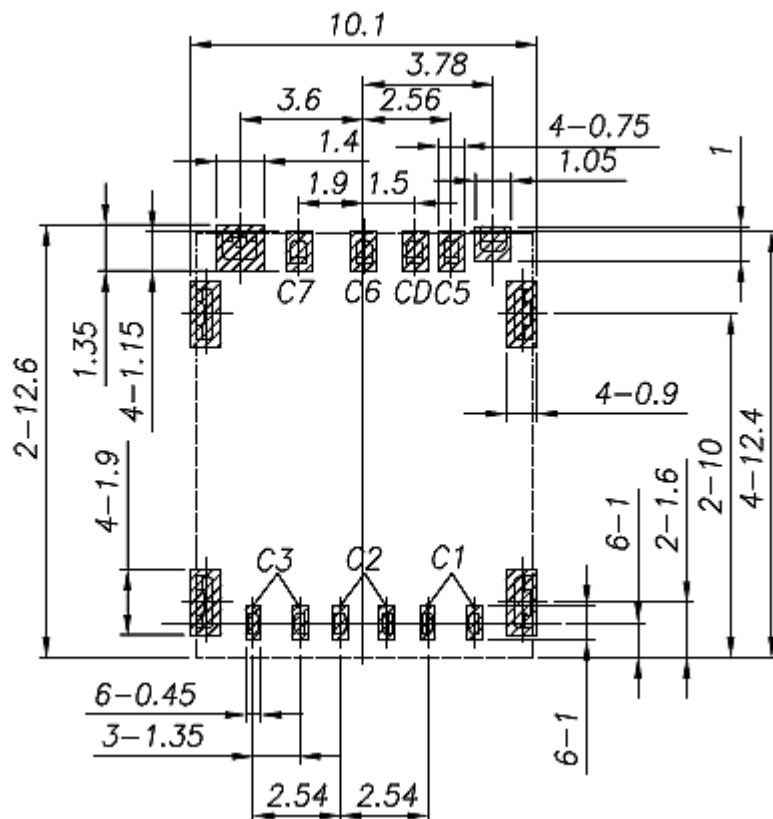


CARD INSERTION STATE	DETECT SWITCH CIRCUIT STATE	SCHEMATIC
UNMATED	OPENED	DETECT PIN CD - ● - ○ - CS
MATED	CLOSED	DETECT PIN CD - ● - ● - CS

Technical parameter

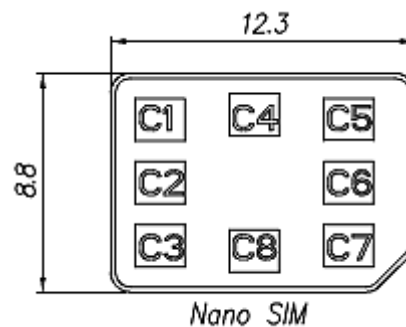
PROJECT		LEVEL	A[better product]	B[average product]	C[low product]
Electrical Properties	Initial Contact Resistance		30mΩ max.	30mΩ max.	no data!
	Contact Resistance		100mΩ min.100V DC Skey/PD: 50mΩ min.100V DC		
	Withstand Voltage		300V AC for 1min	250 V AC for 1min	
Durable Performance	There No Load		8,000 Cycles	7,000 Cycles	no data!
	Rated Load		6,500 Cycles 50mΩ max.	5,000 Cycles 30mΩ max.	no data!
Insertion Force			4.0Kgf MAX (Springback:)		

- 表面貼裝 SMT
- 側向導入 LATERAL
- 精密部品 NICETY
- 可靠 STABILIZE
- 適合環保 RoHS



PIN Assignment

SIM CARD Pin DESIGN			
Pin No.	Pin NAME	Type	Description
C①	卡電源	1	VCC
C②	復位	1	RST
C③	時鐘	1	CLK
C④	保留項	1	Reserved
C⑤	接地	1	GND
C⑥	Vpp	1	VPP
C⑦	輸入/輸出	1	I/O
C⑧	保留項	1	Reserved



本品不屬於危害性廢棄物,須丟棄時可以委託回收商予以回收再生處理。

Products do not belong to hazardous waste, When waste can recycling processing



注記 NOTICE

1. 碩方電子公司擁有最終解釋權; The company reserves the right of final interpretation;
2. 文件禁止外洩、轉載; Leaked and reproduced prohibited;
3. 未經授權修改無效。Modify is invalid.

運送時本產品不要直接與水、酸鹼性化學物質接觸,或放置於含有以上氣體環境中,並且需要注意會有滑落、側翻的危險發生; 運輸過程中不能有碰撞或者擠壓,須保證溫度與濕度適中[常溫 25°C,濕度在 50°C 以內],不可導致材料變形或氧化。