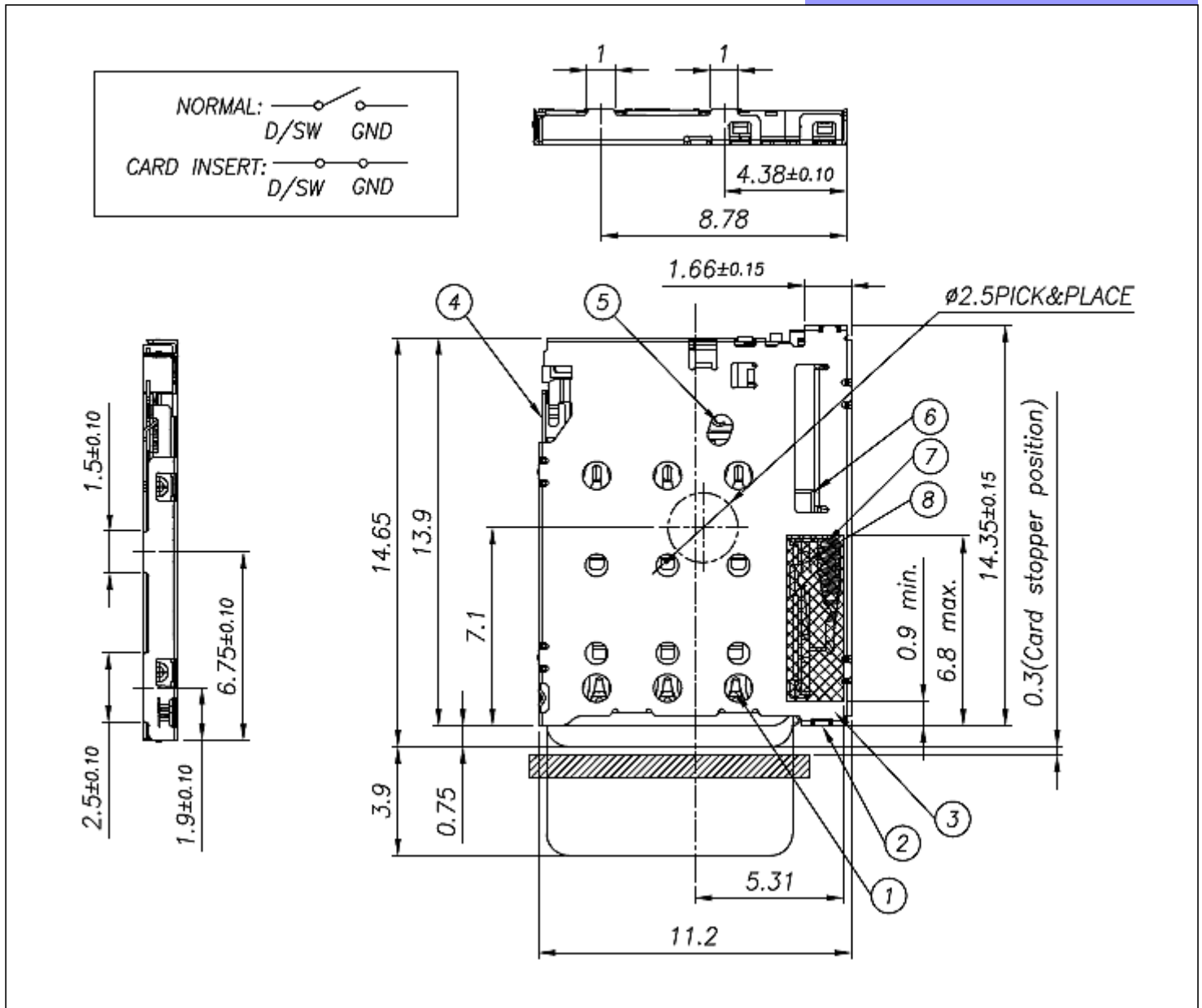


Operation: Push-Push



LTEM NO.:SNO-1315-T  
(NaNo-SIM CARD No.1)

Unit:mm



### Technical parameter

PROJECT		LEVEL	A[better product]	B[average product]	C[low product]
		Initial Contact Resistance	30mΩ max.	30mΩ max.	no data!
Electrical Properties	Contact Resistance	100mΩ min.100V DC	Skey/PD: 50mΩ min.100V DC		
	Withstand Voltage	300V AC for 1min	250 V AC for 1min		
Durable Performance	There No Load	5,000 Cycles	no data!	no data!	
	Rated Load	3,500 Cycles 50mΩ max.	no data!	no data!	
Insertion Force		4.0Kgf MAX (Springback: )			

表面貼裝 SMT

側向導入 LATERAL

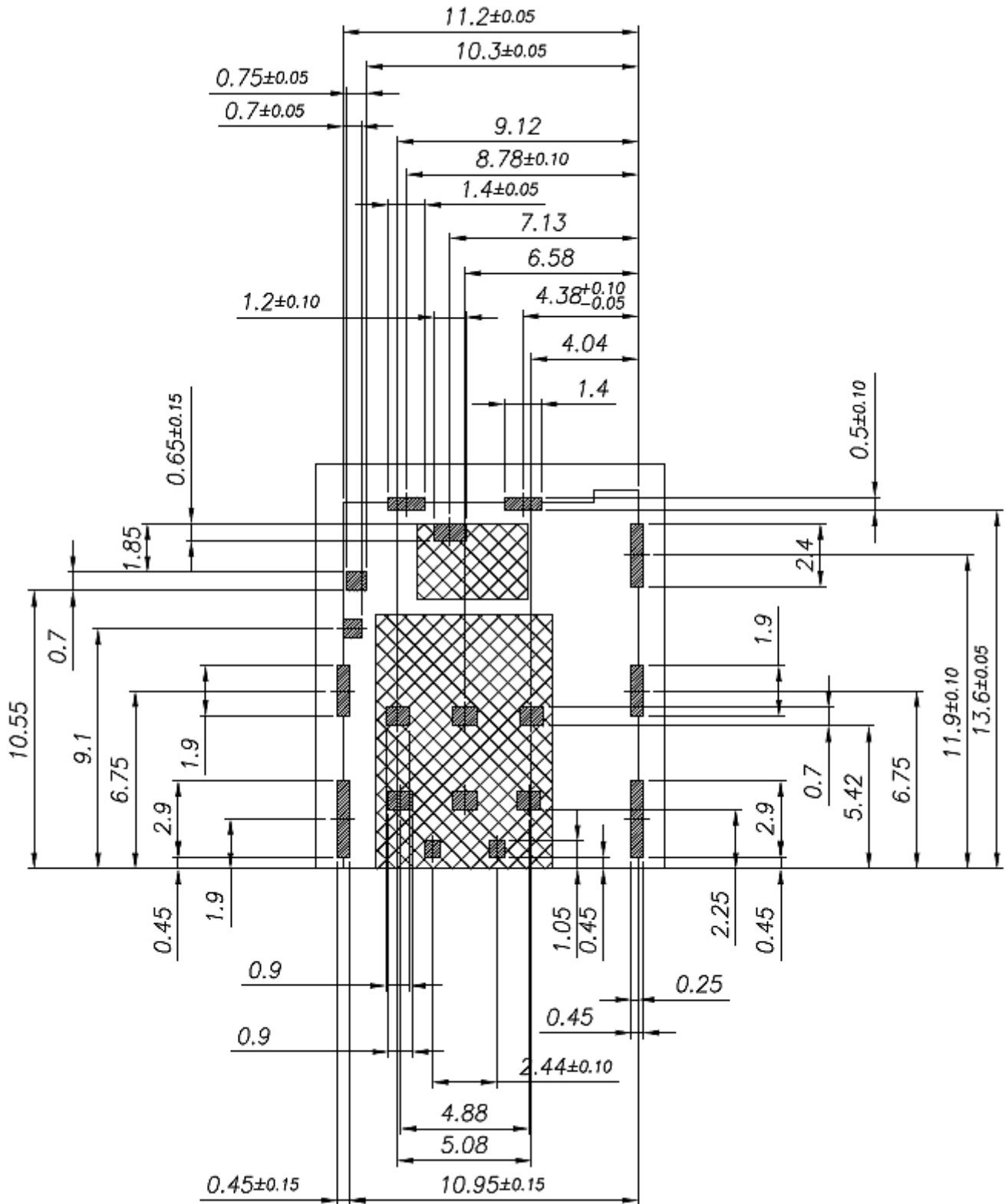
精密部品 NICETY

可靠 STABILIZE

適合環保 RoHS



CIRCUIT BOARD SIZE  
(Vertical view)



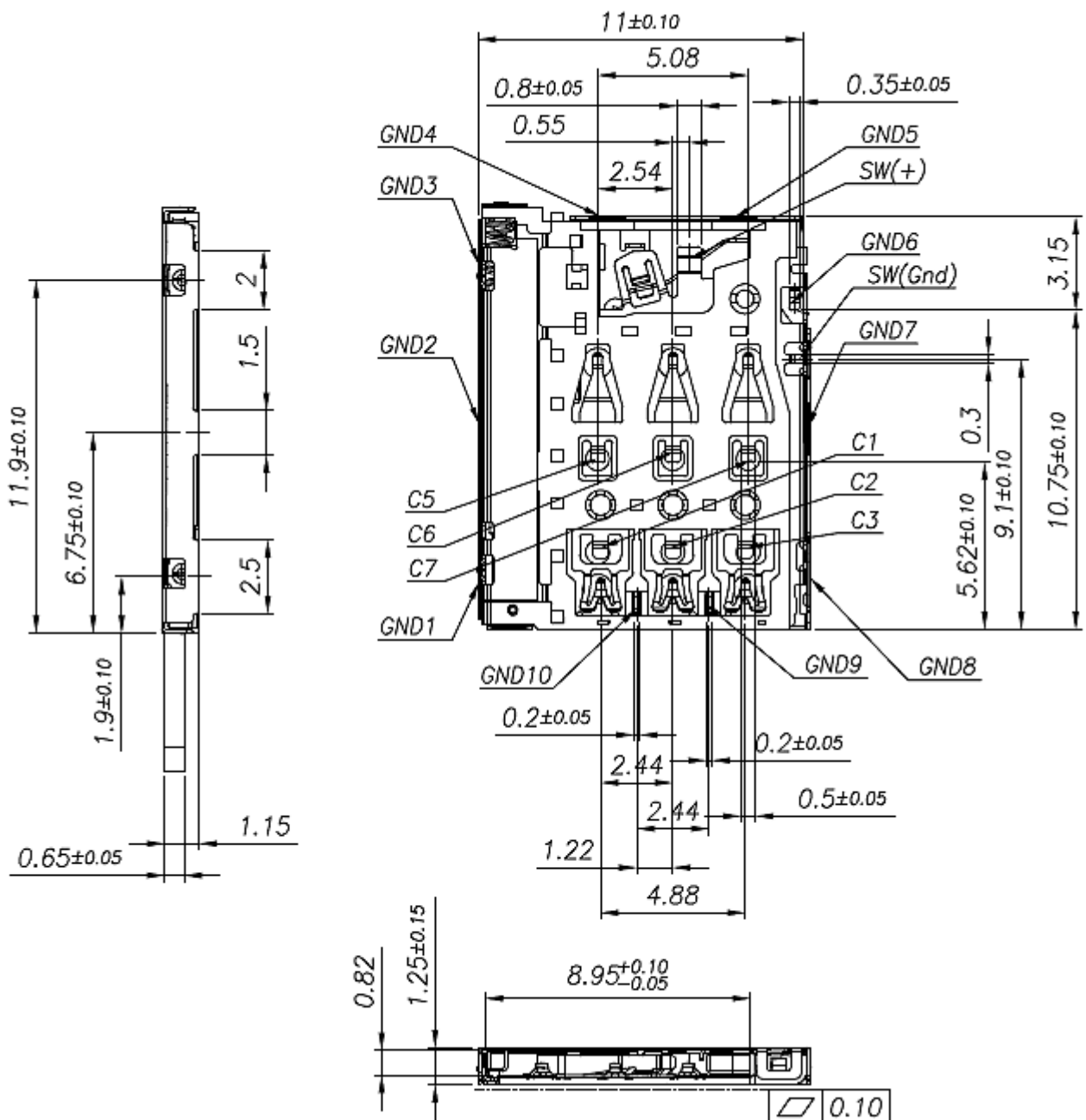
SD CARD Pin DESIGN			
Pin No.	Pin NAME	Type	Description
C①	卡電源	1	VCC
C②	復位	1	RST
C③	時鐘	1	CLK
C④	保留項	1	Reserved
C⑤	接地	1	GND
C⑥	Vpp	1	VPP
C⑦	輸入/輸出	1	I/O
C⑧	保留項	1	Reserved

本品不屬於危害性廢棄物,須丟棄時可以委託回收商予以回收再生處理。Products do not belong to hazardous waste,When waste can recycling processing

運送時本產品不要直接與水、酸鹼性化學物質接觸,或放置於含有以上氣體環境中,並且需要注意會有滑落、側翻的危險發生;運輸過程中不能有碰撞或者擠壓,須保證溫度與濕度適中[常溫 25°C,濕度在 50°C 以內],不可導致材料變形或氧化。

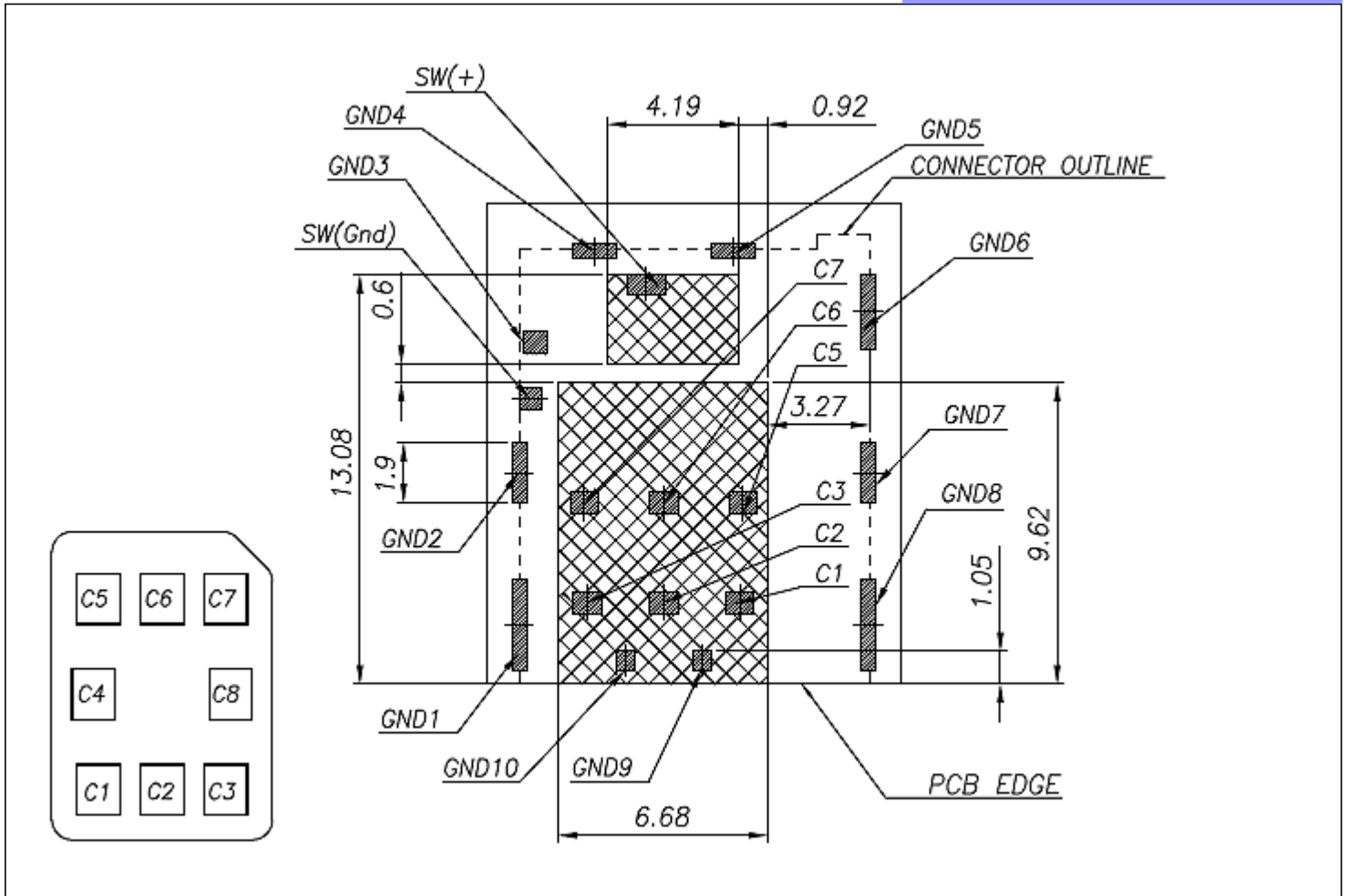
### Bottom View

(NaNo-SIM CARD No.2)



Pin-Definition

(NaNo-SIM CARD)



Material declaration		
No.	NAME	Description
①	CONTACT	COPPER ALLOY(Au OVER Ni:TABLE 2) *6
②	HOUSING	GLASS FILLED LCP
③	SHELL	STAINLESS STEEL(Au OVER Ni:TABLE 2)
④	GND FRAME	COPPER ALLOY(Au OVER Ni:TABLE 2)
⑤	DETECTION SWITCH	COPPER ALLOY(Au OVER Ni:TABLE 2)
⑥	SLIDE	GLASS FILLED PA10T
⑦	SPRING	STAINLESS STEEL
⑧	HOOK	STAINLESS STEEL

注記 NOTICE

1. 碩方電子公司擁有最終解釋權； The company reserves the right of final interpretation;
2. 文件禁止外洩、轉載； Leaked and reproduced prohibited;
3. 未經授權修改無效。 Modify is invalid.

